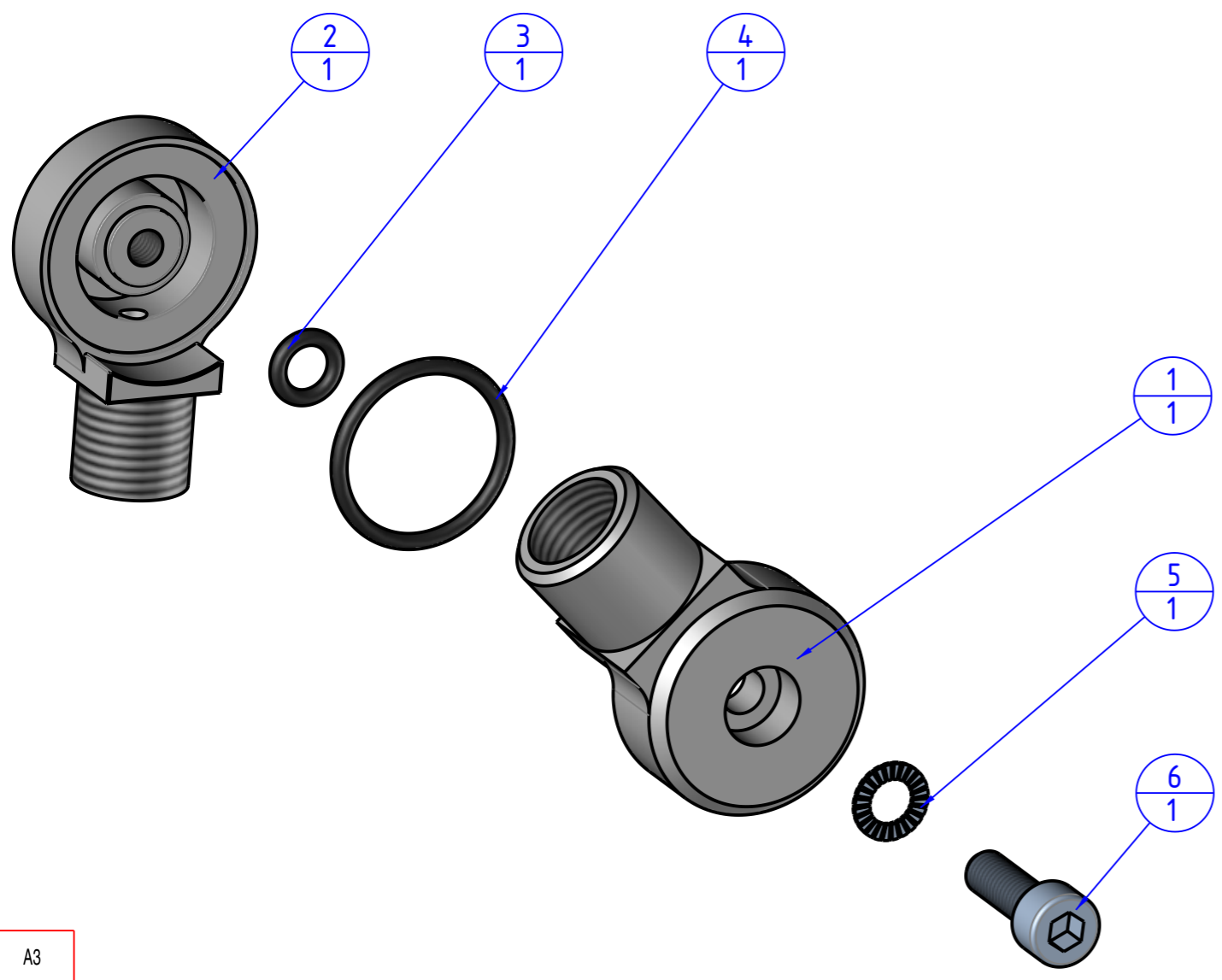
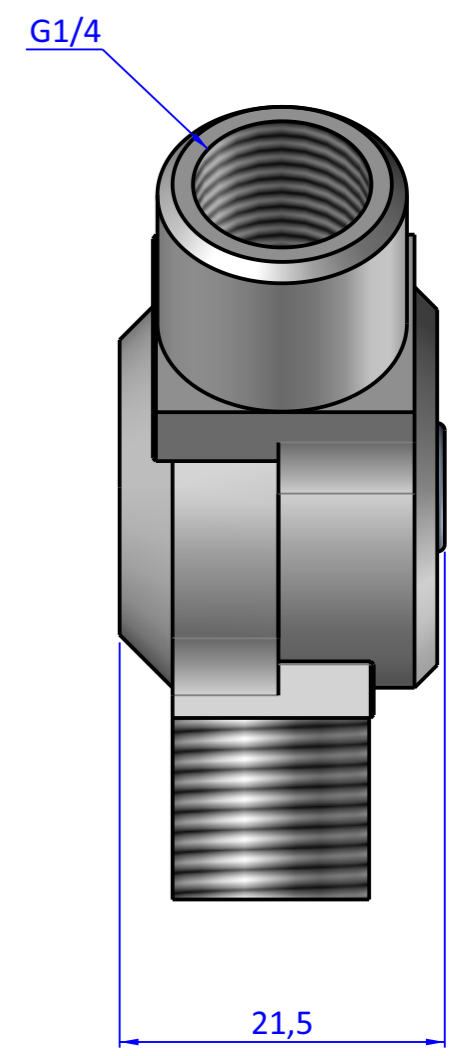
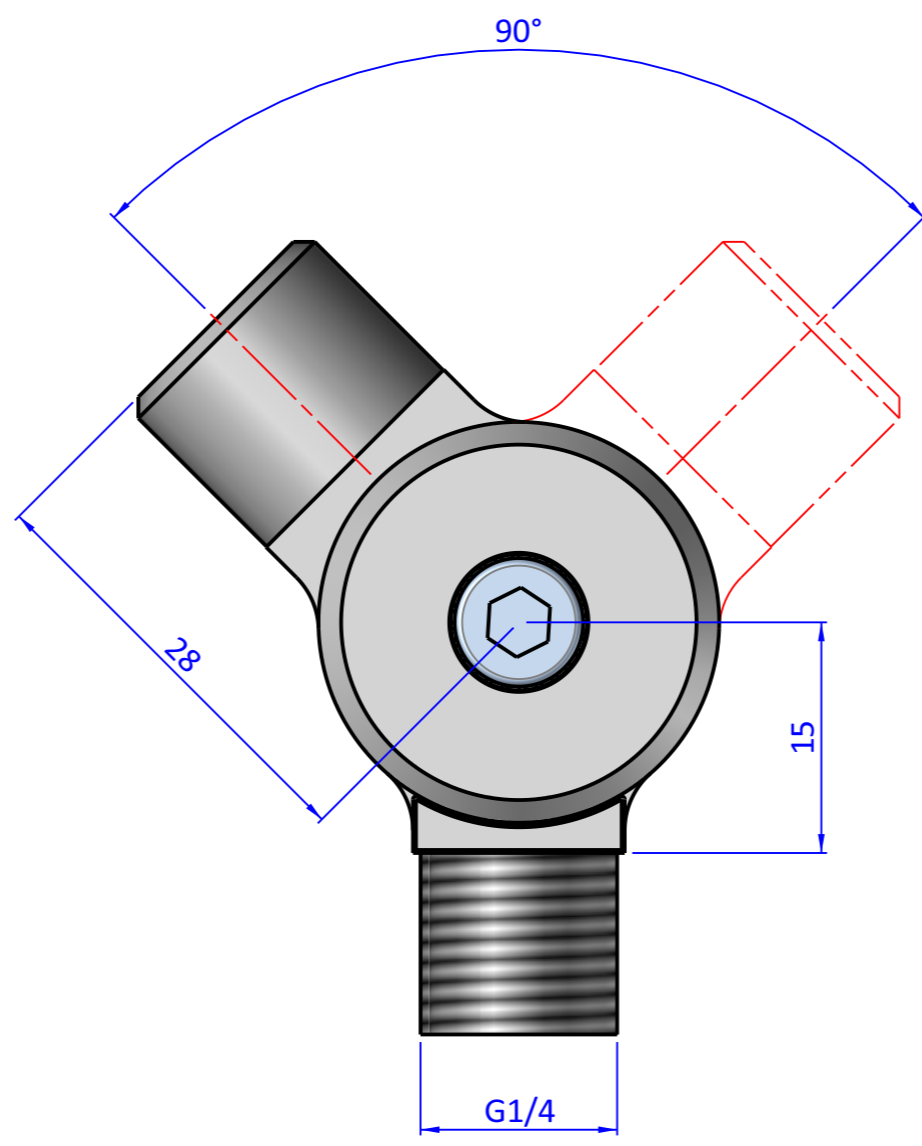

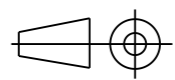


Item	Name	Q.ty
1	07.01.002.1.AL	1
2	07.01.002.2.AL	1
3	OR.2021	1
4	OR.2075	1
5	R.5.SCH	1
6	V.TCE5x16	1



THE PROPERTY OF THE DRAWING IS ESTABLISHED BY LAW. IT IS FORBIDDEN TO PRODUCE OR SHOW IT TO THIRD PART, WITHOUT A WRITTEN AGREEMENT.

Format A3
UNI 936-76

 FPS FPSERVICES AUTOMATION			DESIGNED FROM FPS Automation	REVIEW A
GENERAL TOLERANCE UNI - ISO 2768 CLASSE f	DESCRIPTION CA.07.01.002.AL	DATE 23/04/2024	WEIGHT 0,004kg	CODE CA.07.01.002.AL